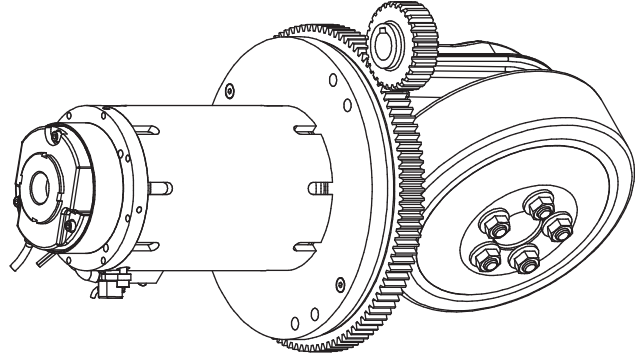
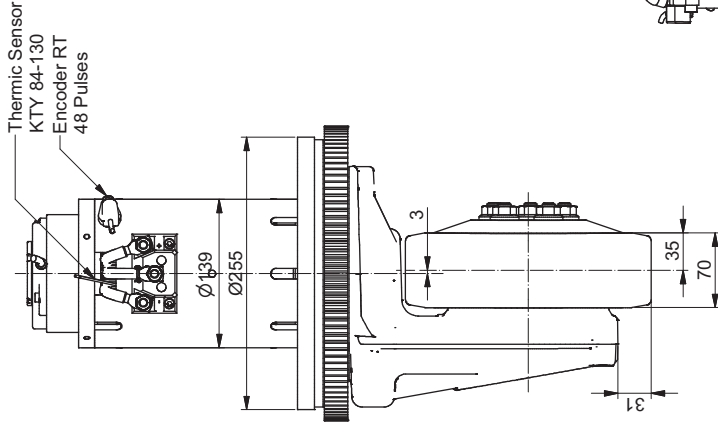
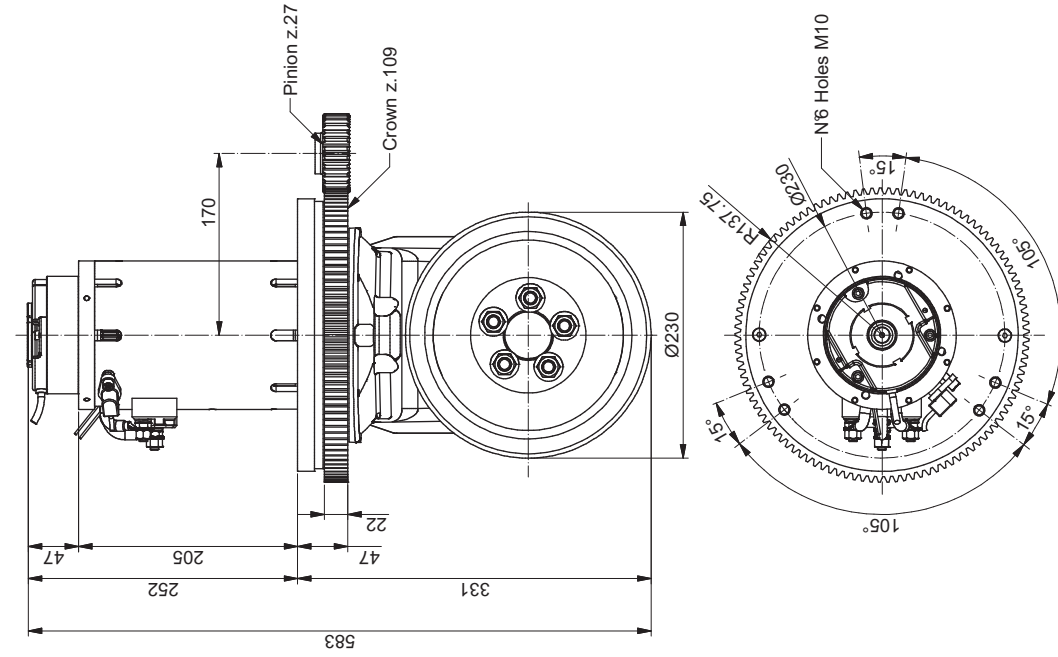




C.F.R. srl
Modena - Italy

AC MOTOR IN WHEEL UNIT

CODE **MRT23.AC001**



Traction motor data	
1	Type : AC Asynchronous
2	Power (S2 - 60 min) W 1200
3	Motor voltage (~3) V 16
4	Battery voltage V 24
5	Speed rpm 2800
6	Frequency Hz 100
7	Current A 71
8	Torque Nm 4.1
9	
10	
11	Enclosure IP 20
12	Brake torque Nm 8
Traction gear data	
13	Max input motor power W 1500
14	Gear ratio i 1:25.08
15	Max accel. and braking torque Nm 380
16	
17	Nominal wheel torque Nm 72
18	
19	
20	
21	Lubrication Oil
22	Max load on vulkollan wheel kg
23	Max load on poliurethan wheel kg 1000
24	Max load on solid rubber wheel kg
Steering gearmotor data	
25	Type :
26	Power (S2 - 60 min) W
27	Motor voltage (~3) V
28	Battery voltage V
29	Motor Speed rpm
30	Frequency Hz
31	Current A
32	Motor torque Nm
33	Enclosure IP
34	
35	Gear ratio i
36	Efficiency η
37	Total Weight kg 52

Available on request

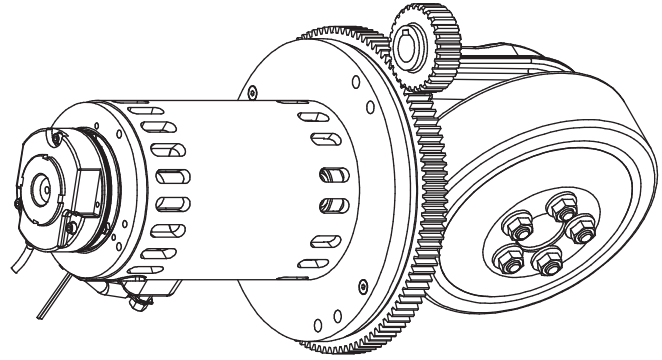
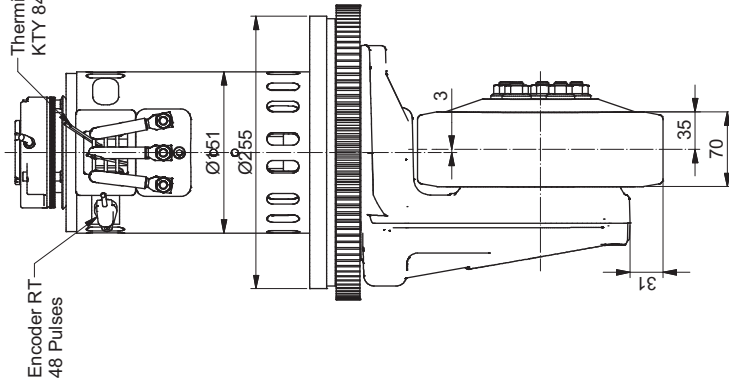
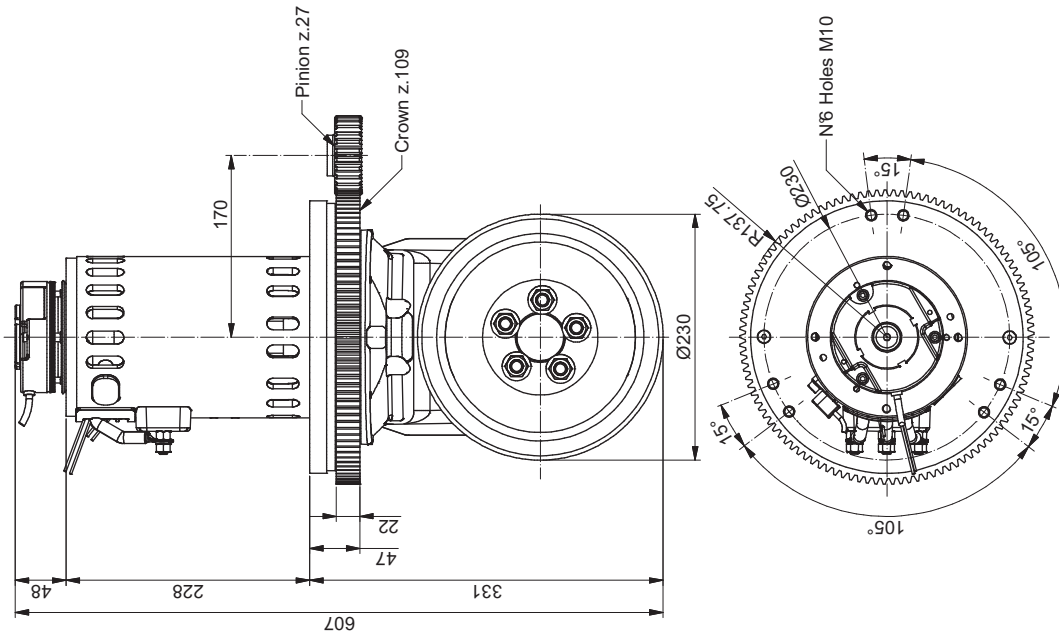
A	Motors: Permanent Magnet, Series Wound, Sepex, AC Asynchronous
B	Voltages: 24V, 36V, 48V, 72V, 80V, 96V
C	Gear Ratio: 1:25.08
D	Encoders application : Thermic Sensor
E	Forced ventilation
F	



C.F.R. srl
Modena - Italy

AC MOTOR IN WHEEL UNIT

CODE **MRT23.AC003**



Traction motor data	
1	Type : AC Asynchronous
2	Power (S2 - 60 min) W 1500
3	Motor voltage (~3) V 16
4	Battery voltage V 24
5	Speed rpm 2800
6	Frequency Hz 100
7	Current A 89
8	Torque Nm 5.1
9	
10	
11	Enclosure IP 20
12	Brake torque Nm 8
Traction gear data	
13	Max input motor power W 1500
14	Gear ratio i 1:25.08
15	Max accel. and braking torque Nm 380
16	
17	Nominal wheel torque Nm 72
18	
19	
20	
21	Lubrication Oil
22	Max load on vulkollan wheel kg
23	Max load on poliurethan wheel kg 1000
24	Max load on solid rubber wheel kg
Steering gearmotor data	
25	Type :
26	Power (S2 - 60 min) W
27	Motor voltage (~3) V
28	Battery voltage V
29	Motor Speed rpm
30	Frequency Hz
31	Current A
32	Motor torque Nm
33	Enclosure IP
34	
35	Gear ratio i
36	Efficiency η
37	Total Weight kg 59

Available on request

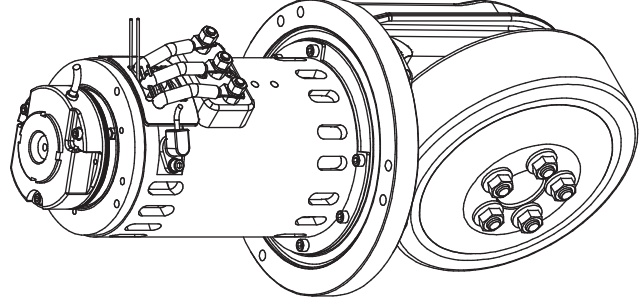
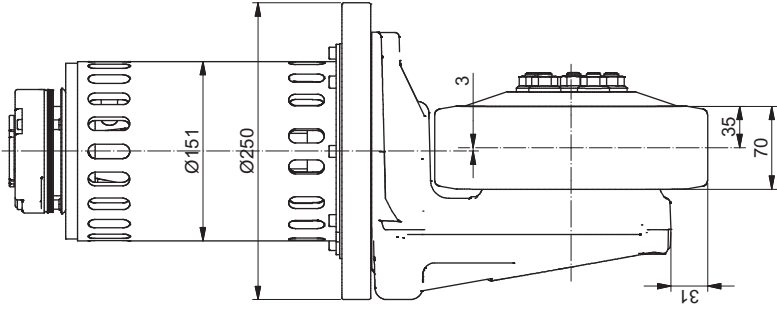
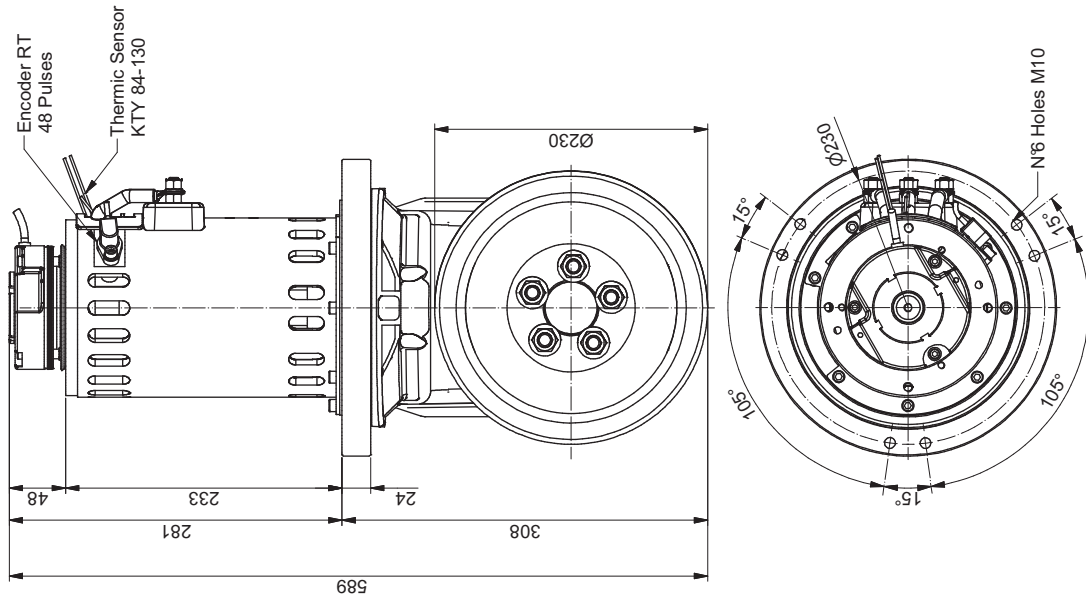
A	Motors: Permanent Magnet, Series Wound, Sepex, AC Asynchronous
B	Voltages: 24V, 36V, 48V, 72V, 80V, 96V
C	Gear Ratio: 1:25.08
D	Encoders application : Thermic Sensor
E	Forced ventilation
F	



C.F.R. srl
Modena - Italy

AC MOTOR IN WHEEL UNIT

CODE **MRT23.AC004**



Traction motor data			
1	Type : AC Asynchronous		
2	Power (S2 - 60 min)	W	1500
3	Motor voltage (~3)	V	16
4	Battery voltage	V	24
5	Speed	rpm	2800
6	Frequency	Hz	100
7	Current	A	89
8	Torque	Nm	5.1
9			
10			
11	Enclosure	IP	20
12	Brake torque	Nm	8
Traction gear data			
13	Max input motor power	W	1500
14	Gear ratio	i	1:25.08
15	Max accel. and braking torque	Nm	380
16			
17	Nominal wheel torque	Nm	72
18			
19			
20			
21	Lubrication		Oil
22	Max load on vulkollan wheel	kg	
23	Max load on poliurethan wheel	kg	1000
24	Max load on solid rubber wheel	kg	
Steering gearmotor data			
25	Type :		
26	Power (S2 - 60 min)	W	
27	Motor voltage (~3)	V	
28	Battery voltage	V	
29	Motor Speed	rpm	
30	Frequency	Hz	
31	Current	A	
32	Motor torque	Nm	
33	Enclosure	IP	
34			
35	Gear ratio	i	
36	Efficiency	η	
37	Total Weight	kg	59

Available on request

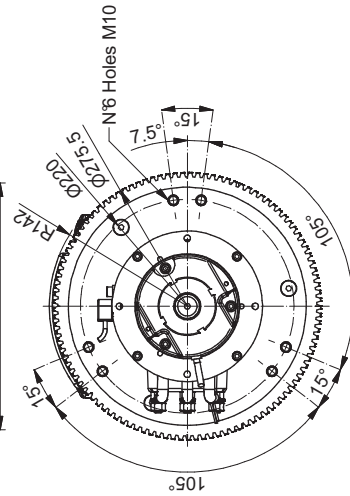
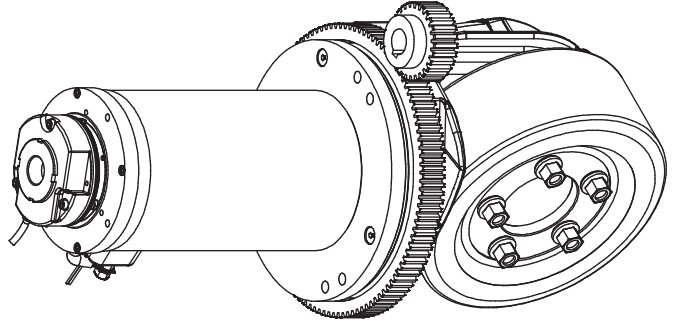
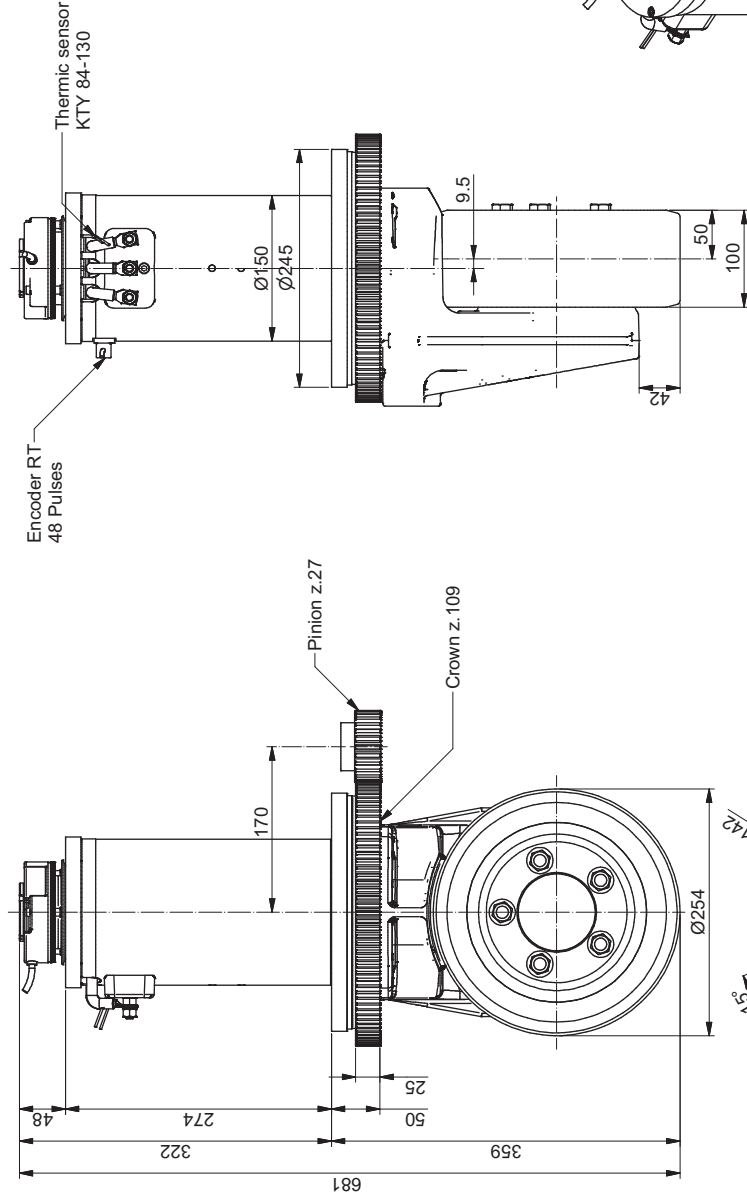
A	Motors: Permanent Magnet, Series Wound, Sepex, AC Asynchronous
B	Voltages: 24V, 36V, 48V, 72V, 80V, 96V
C	Gear Ratio: 1:25.08
D	Encoders application : Thermic Sensor
E	Forced ventilation
F	



C.F.R. srl
Modena - Italy

AC MOTOR IN WHEEL UNIT

CODE **MRT26.AC001**



Traction motor data	
1	Type : AC Asynchronous
2	Power (S2 - 60 min) W 2000
3	Motor voltage (~3) V 16
4	Battery voltage V 24
5	Speed rpm 2800
6	Frequency Hz 100
7	Current A 119
8	Torque Nm 6.8
9	
10	
11	Enclosure IP 20
12	Brake torque Nm 8
Traction gear data	
13	Max input motor power W 2600
14	Gear ratio i 1:24.1
15	Max accel. and braking torque Nm 490
16	
17	Nominal wheel torque Nm 115
18	
19	
20	
21	Lubrication Oil
22	Max load on vulkollan wheel kg 1600
23	Max load on poliurethan wheel kg
24	Max load on solid rubber wheel kg
Steering gearmotor data	
25	Type :
26	Power (S2 - 60 min) W
27	Motor voltage (~3) V
28	Battery voltage V
29	Motor Speed rpm
30	Frequency Hz
31	Current A
32	Motor torque Nm
33	Enclosure IP
34	
35	Gear ratio i
36	Efficiency η
37	Total Weight kg 70

Available on request

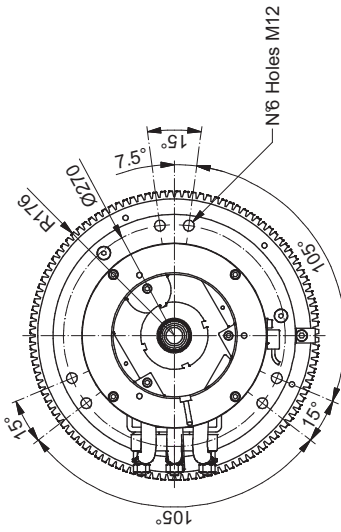
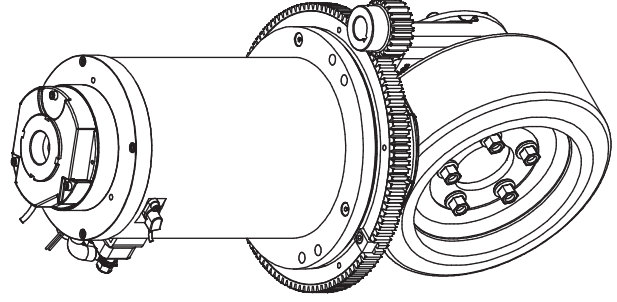
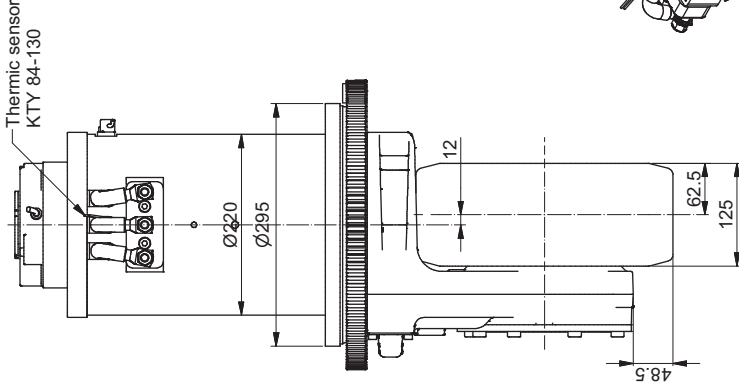
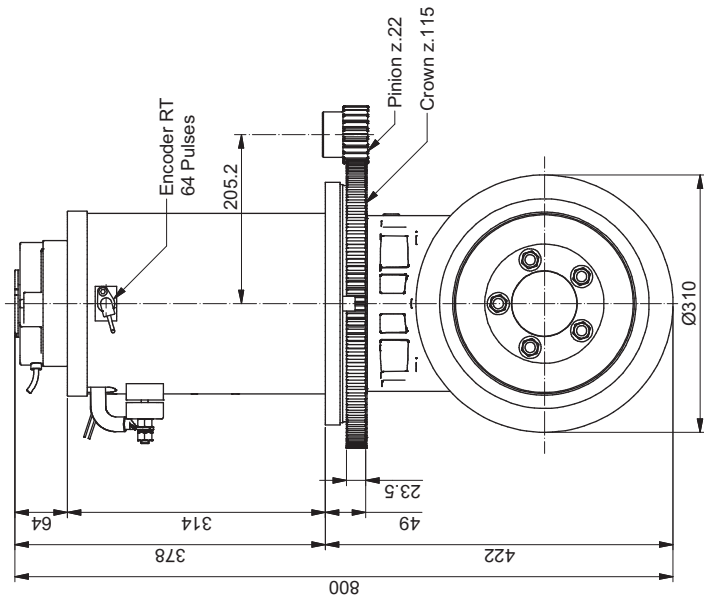
A	Motors: Permanent Magnet, Series Wound, Sepex, AC Asynchronous
B	Voltages: 24V, 36V, 48V, 72V, 80V, 96V
C	Gear Ratio: 1:24.1
D	Encoders application : Thermic Sensor
E	Forced ventilation
F	



C.F.R. srl
Modena - Italy

AC MOTOR IN WHEEL UNIT

CODE **MRT31.AC002**



Available on request

A	Motors: Permanent Magnet, Series Wound, Sepex, AC Asynchronous
B	Voltages: 24V, 36V, 48V, 72V, 80V, 96V
C	Gear Ratio: 1:25.4
D	Encoders application : Thermic Sensor
E	Forced ventilation
F	

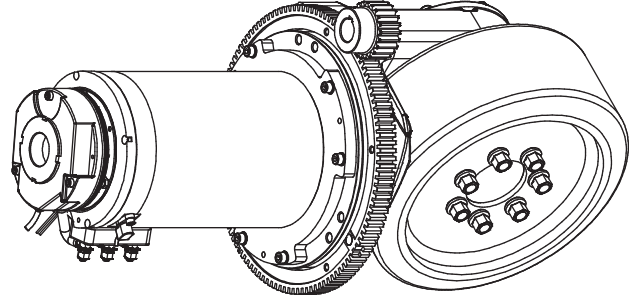
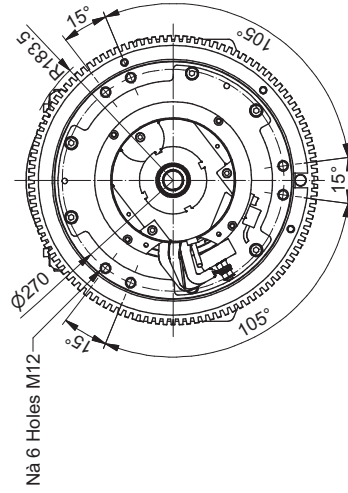
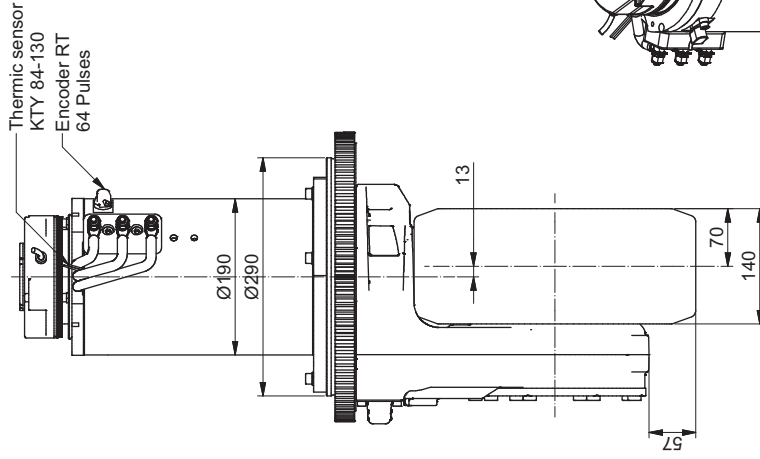
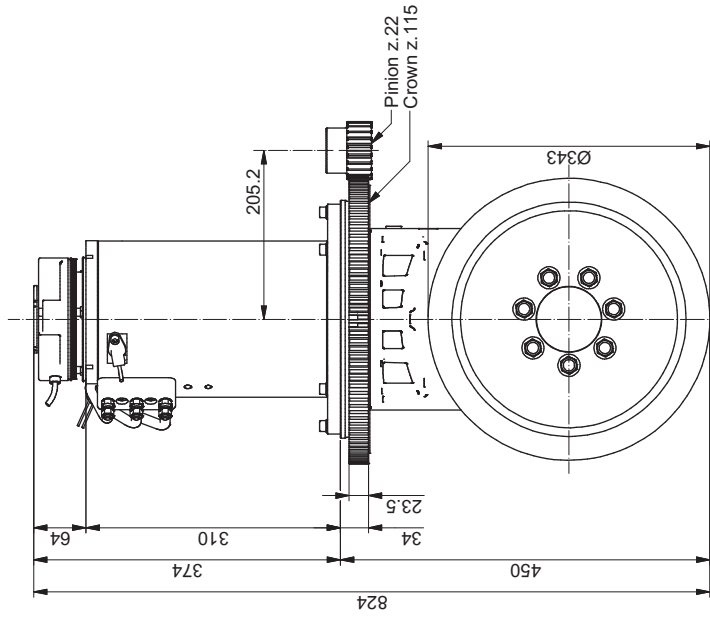
Traction motor data			
1	Type : AC Asynchronous		
2	Power (S2 - 60 min)	W	6000
3	Motor voltage (~3)	V	27
4	Battery voltage	V	48
5	Speed	rpm	2850
6	Frequency	Hz	100
7	Current	A	179
8	Torque	Nm	20.1
9			
10			
11	Enclosure	IP	20
12	Brake torque	Nm	32
Traction gear data			
13	Max input motor power	W	6000
14	Gear ratio	i	1:25.4
15	Max accel. and braking torque	Nm	940
16			
17	Nominal wheel torque	Nm	357
18			
19			
20			
21	Lubrication		Oil
22	Max load on vulkollan wheel	kg	2000
23	Max load on poliurethan wheel	kg	
24	Max load on solid rubber wheel	kg	
Steering gearmotor data			
25	Type :		
26	Power (S2 - 60 min)	W	
27	Motor voltage (~3)	V	
28	Battery voltage	V	
29	Motor Speed	rpm	
30	Frequency	Hz	
31	Current	A	
32	Motor torque	Nm	
33	Enclosure	IP	
34			
35	Gear ratio	i	
36	Efficiency	η	
37	Total Weight	kg	140



C.F.R. srl
Modena - Italy

AC MOTOR IN WHEEL UNIT

CODE **MRT34.AC001**



Traction motor data			
1	Type : AC Asynchronous		
2	Power (S2 - 60 min)	W	4000
3	Motor voltage (~3)	V	27
4	Battery voltage	V	48
5	Speed	rpm	2850
6	Frequency	Hz	100
7	Current	A	119
8	Torque	Nm	13.4
9			
10			
11	Enclosure	IP	20
12	Brake torque	Nm	32
Traction gear data			
13	Max input motor power	W	6000
14	Gear ratio	i	1:22.9
15	Max accel. and braking torque	Nm	1400
16			
17	Nominal wheel torque	Nm	215
18			
19			
20			
21	Lubrication	Oil	
22	Max load on vulkollan wheel	kg	2800
23	Max load on poliurethan wheel	kg	
24	Max load on solid rubber wheel	kg	
Steering gearmotor data			
25	Type :		
26	Power (S2 - 60 min)	W	
27	Motor voltage (~3)	V	
28	Battery voltage	V	
29	Motor Speed	rpm	
30	Frequency	Hz	
31	Current	A	
32	Motor torque	Nm	
33	Enclosure	IP	
34			
35	Gear ratio	i	
36	Efficiency	η	
37	Total Weight	kg	135

Available on request

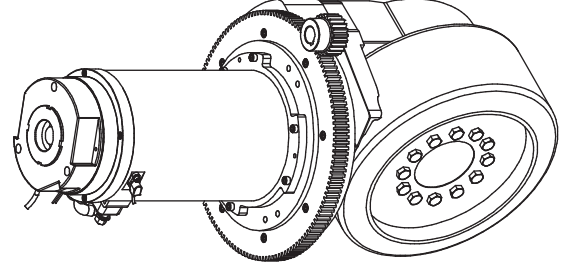
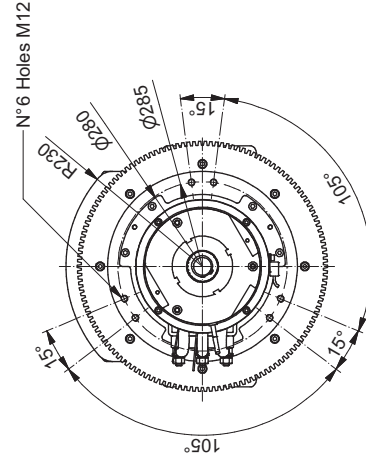
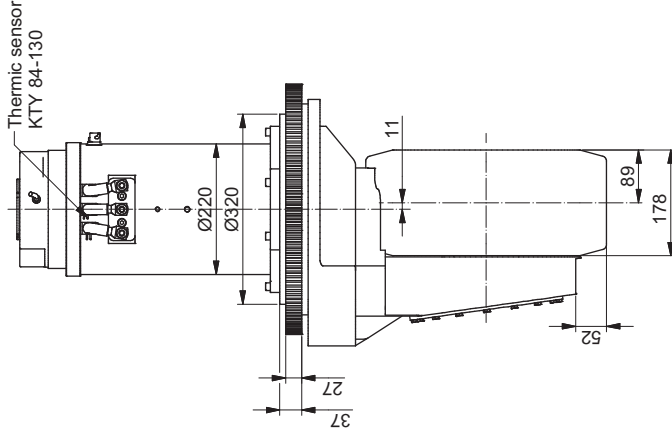
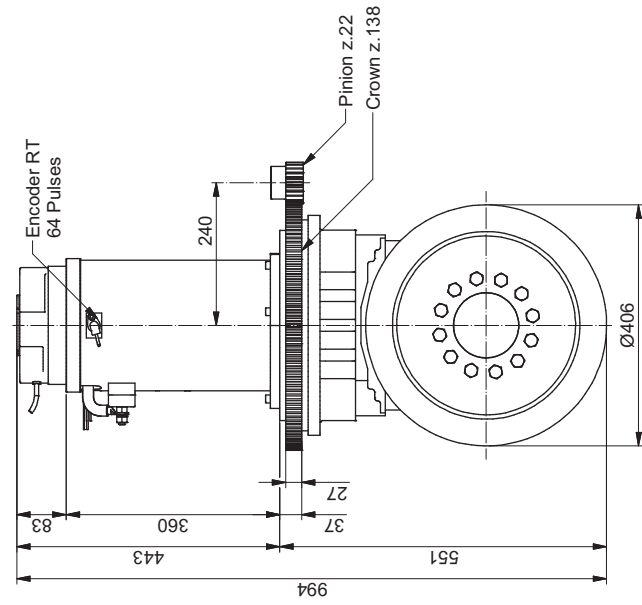
A	Motors: Permanent Magnet, Series Wound, Sepex, AC Asynchronous
B	Voltages: 24V, 36V, 48V, 72V, 80V, 96V
C	Gear Ratio: 1:22.9
D	Encoders application : Thermic Sensor
E	Forced ventilation
F	



C.F.R. srl
Modena - Italy

AC MOTOR IN WHEEL UNIT

CODE **MRT40.AC001**



Traction motor data			
1	Type	AC Asynchronous	
2	Power (S2 - 60 min)	W	8000
3	Motor voltage (~3)	V	27
4	Battery voltage	V	48
5	Speed	rpm	2000
6	Frequency	Hz	66
7	Current	A	238
8	Torque	Nm	38.2
9			
10			
11	Enclosure	IP	20
12	Brake torque	Nm	80
Traction gear data			
13	Max input motor power	W	8000
14	Gear ratio	i	1:19.9
15	Max accel. and braking torque	Nm	2600
16			
17	Nominal wheel torque	Nm	532
18			
19			
20			
21	Lubrication	Oil	
22	Max load on vulkollan wheel	kg	4000
23	Max load on poliurethan wheel	kg	
24	Max load on solid rubber wheel	kg	
Steering gearmotor data			
25	Type		
26	Power (S2 - 60 min)	W	
27	Motor voltage (~3)	V	
28	Battery voltage	V	
29	Motor Speed	rpm	
30	Frequency	Hz	
31	Current	A	
32	Motor torque	Nm	
33	Enclosure	IP	
34			
35	Gear ratio	i	
36	Efficiency	η	
37	Total Weight	kg	245

Available on request

A	Motors: Permanent Magnet, Series Wound, Sepex, AC Asynchronous
B	Voltages: 24V, 36V, 48V, 72V, 80V, 96V
C	Gear Ratio: 1:19.9
D	Encoders application ; Thermic Sensor
E	Forced ventilation
F	

